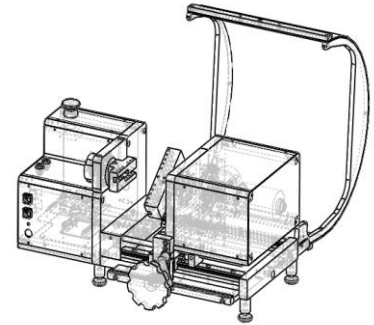
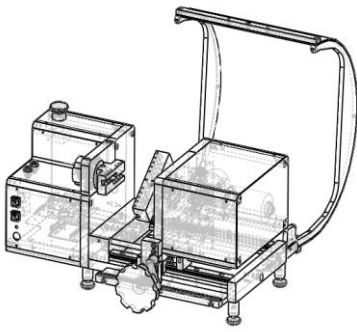


T-20



Specifications



- Torque Capacity 20 NM (177lbf-in)
- Torque Resolution 0.0004NM (0.0035lbf-in)
- Torque Accuracy ± 0.0016 NM (± 0.028 lbf-in)
- **Secondary Load Cell Possibilities:**

Torque

Torque Cell Type	Torque Capacity		Torque Resolution		Torque Accuracy at 1% of Range	
	NM	Lbf.in	NM	Lbf.in	\pm NM	\pm lbf.in
5	5	44.25	0.0001	0.000875	0.0005	0.004425
2	2	17.7	0.00004	0.00035	0.0002	0.00177
0.100	0.100	0.88	0.000002	0.000018	0.00001	0.000096
0.010	0.01	0.088	0.0000002	0.000002	0.000005	0.000048

- Continuous digital display or Torque/Angle graphical analysis tools and display
- Interchangeable torque cells
- Safe overload to 200% of FS (Software overload protection at FS). Maximum torsion arm load of 500N (112lbf) with 20Nm load cell

Angular Rotation

- Resolution: 0.036°
- Accuracy: $\pm 0.1^\circ$
- Absolute display of angle from 0 - 50000°. Angle zeroed anywhere in this range. Test angle absolute or from free position.

Fixtures

- Testing fixture with 4 pin hole sizes (for torque up to 20Nm) or optional 75mm (3.0") 3 jaw chuck (for torque up to 2Nm)

Body Length OD

- 152mm (6") Maximum
- 80mm (3.2") Maximum

Computer

- 2.4GHz (minimum) Dual Core processor
- USB port for PC data transfer
- Fully Microsoft Windows 2000, XP, Vista and Win 7 compatible)
- 17" SVGA Color monitor supplied with a PC

Languages

- English, German, Turkish

Software Features

- Active Torquecell Electronically Identified
- Programmable for automated testing, including spring rate results.
- Full reporting and printing capability available.
- SPC control charts available.
- Smart self calibration routines
- Automatic or manual determination of torsion rate (linear analysis)
- **Fatigue testing algorithm available with HS model**
- Nm, Nmm, kgf-m, gf-mm, kgf-cm, ozf-in, lbf-in and angles in degrees or revolutions

Units

Test speeds

- 0 – 6 RPM, servo motion controlled
- **0 – 300 RPM, (8 distinct speed settings available) Speed controlled and not effected by load-----HS model**

Dimensions

- 520mm x 228mm x 224mm (20.5"x9"x8.8") LxBxH
- Weight 20kg (50lbs)
- **Power** 110V~220V AC 1.5A (Maximum)



WWW.SASTESTERS.COM

Ph: +972-9-7603895

Fax: +972-9-7604849

E-Mail: Info@SASTESTERS.COM